

Power over Ethernet Arrester Series



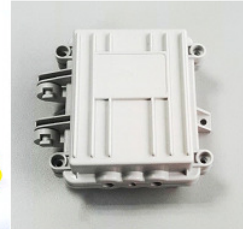
ATPOE5-48



AT POE5-48-8



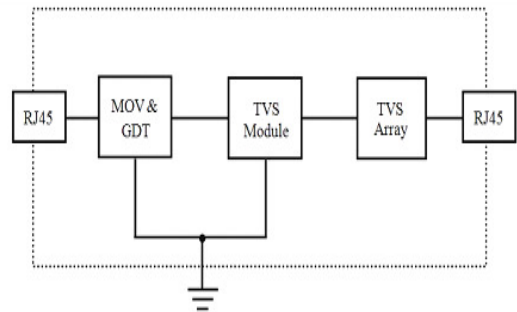
ATPOE6-48-24



AT POE5-48-OD (Outdoor)

FEATURES:

- Multi. Protection circuits, Gas-Tube + TVS technology
- Dual protection in Common mode and differential mode
- TVS array technology, low capacitance
- Multi-Strike Capability
- Adaption to 802.3af
- 10/100/1000Base-T application



Model AT **POE5-48** AT **POE6-48** AT **POE5-48-*** AT **POE6-48-*** AT **POE5-48-OD** AT **POE6-48-OD**

Power/Ethernet Parameter

	AT POE5-48	AT POE6-48	AT POE5-48-*	AT POE6-48-*	AT POE5-48-OD	AT POE6-48-OD
Nominal Voltage U_n	48Vdc (Customizable from 12Vdc to over 200Vdc)					
Max. Discharge Current (8/20 μ s) I_{max} (Power)	10kA	5kA	10kA	10kA	10kA	5kA
Max. Discharge Current (8/20 μ s) I_{max} (Ethernet)	5kA		5kA	5kA	5kA	
Protection Lines L-L, L-G (Data; Power)	1/2, 3/6; 4/5, 7/8	1-8 (Data & power)	1/2, 3/6; 4/5, 7/8	1-8 (Data & power)	1/2, 3/6; 4/5, 7/8	1-8 (Data & power)
Number of Channels	1	1	8, 16, 24		1	1
Adapt Transmission Rate Ae	100Mbps	1Gbps	100Mbps	1Gbps	100Mbps	1Gbps
Insertion Loss	≤ 0.5 dB					
Response Time t_A	1ns					

Mechanical characteristics

Dimensions	28×48× 110mm	28×58× 110mm	8-port: 44×86×190mm 16/24-port: 44×86×482mm		78×172×159mm	
Weight	120g	126g	600g/1750g/1950g		420g	
Input/Output Connector	RJ45					

Environmental

Temperature	-40 to 85°C					
Relative Humidity (non-condensing)	$\leq 95\%$					
Standards Compliance	IEC61000, IEC61643-21, RoHS					

*, **: Multi-channel models. The blank is filled with number of channels, e.g. POE6-48-24 is a 24-port Cat.6 model.

ANDA Telecom Pvt. Ltd.

Registered office : E-36, Amar Colony, Lajpat Nagar- IV, New Delhi - 110024, INDIA

Phone : +91 11 41323629, +91 93 502 57173

E-mail : Info@andatelecomindia.com

URL : www.andatelecomindia.com